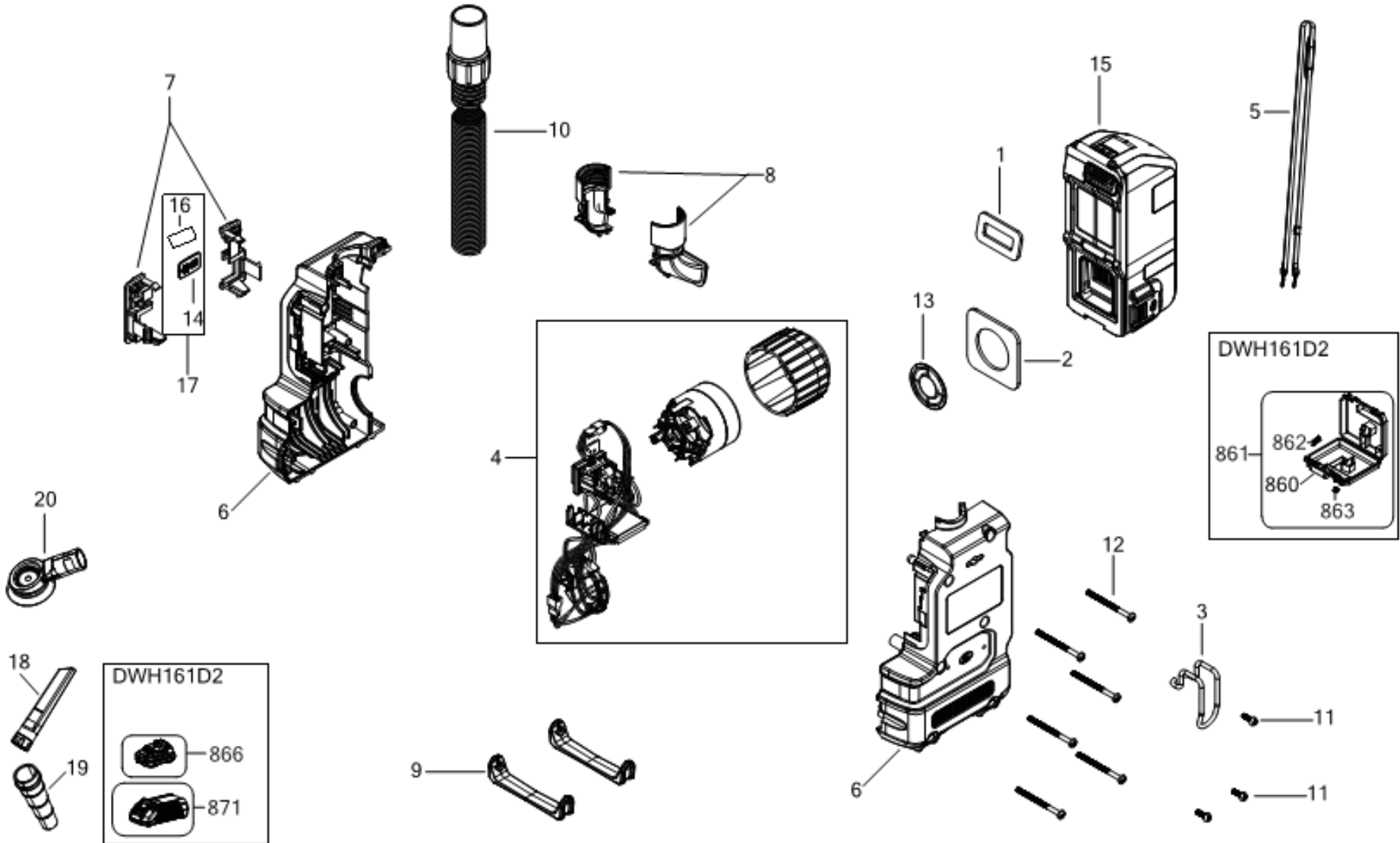


DeWALT

DWH161

TYP.
1



©

E20480

www.2helpu.com

11-02-2019

DWH161 DUST EXTRACTOR 1

Parts List DWH161 DUST EXTRACTOR 1

Item	Part Number	Qty	Part Description	General Description	Other Info	Repair Inst	Markets
1	N416875	1	SEAL			No	XJ
2	N416876	1	SEAL			No	XJ
3	N410943	1	HOOK			No	XJ
4	N703446	1	MOTOR SA			No	XJ
5	N463971	1	STRAP			No	XJ
6	N703488	1	CLAMSHELL SET			No	XJ
7	N703490	1	CLAMSHELL SET			No	XJ
8	N703493	1	DUST PORT			No	XJ
9	N633052	2	STRAP			No	XJ
10	N629750	1	TUBE EXTRACTION			No	XJ
11	330065-06	3	SCREW			No	XJ
12	330065-10	6	SCREW			No	XJ
13	588804-00	1	FAN COVER			No	XJ
14	N476329	1	BUTTON			No	XJ
15	N703592	1	FILTER SA			No	XJ
16	N600751	1	LABEL			No	XJ
17	N702897	1	BUTTON SA			No	XJ
18	N195974	1	TOOL CREVICE			No	XJ
19	N644912	1	ADAPTOR TUBE			No	XJ
20	N851415	1	DUST PORT		STINGRAY	No	XJ
860	H1400196008	1	HANDLE			No	XJ
861	N279261	1	KITBOX			No	XJ
862	N409477	1	LATCH			No	XJ
863	P910190	2	LATCH			No	XJ